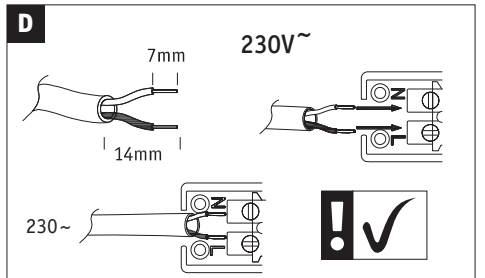
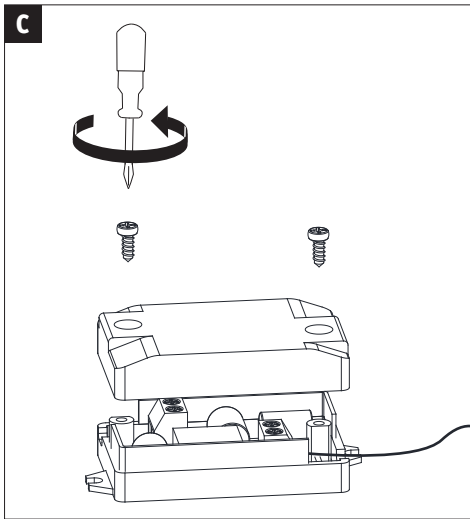
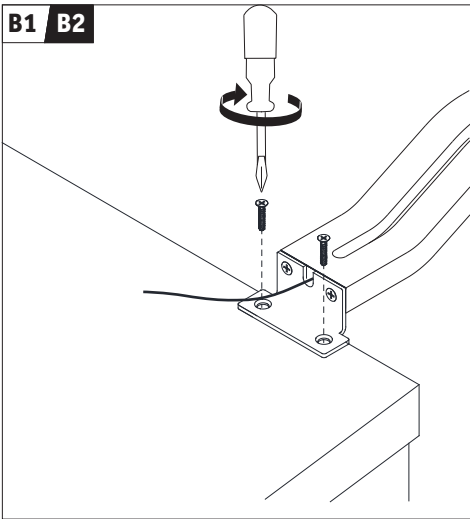
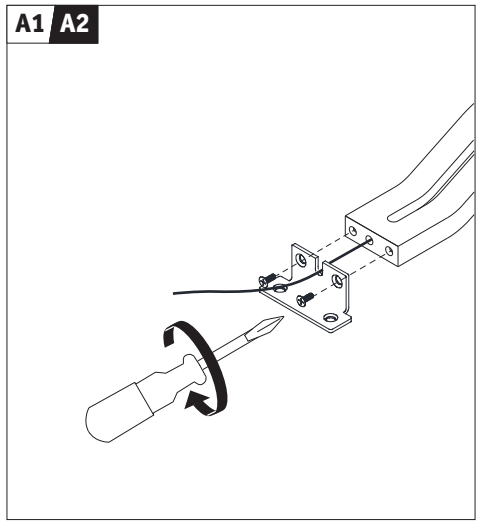
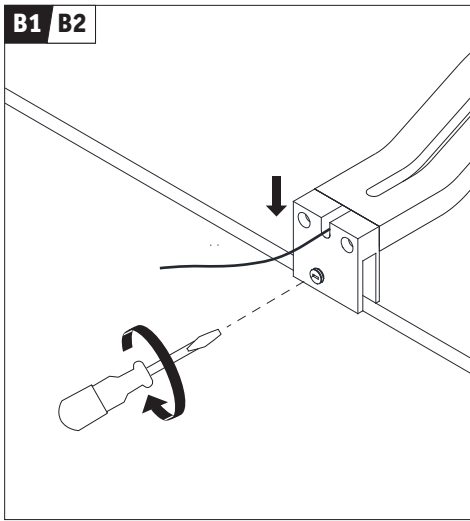
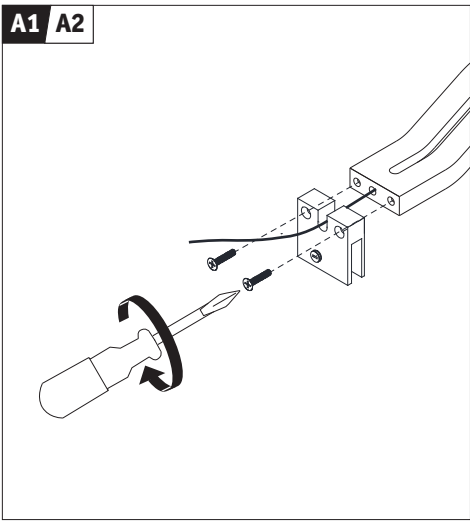
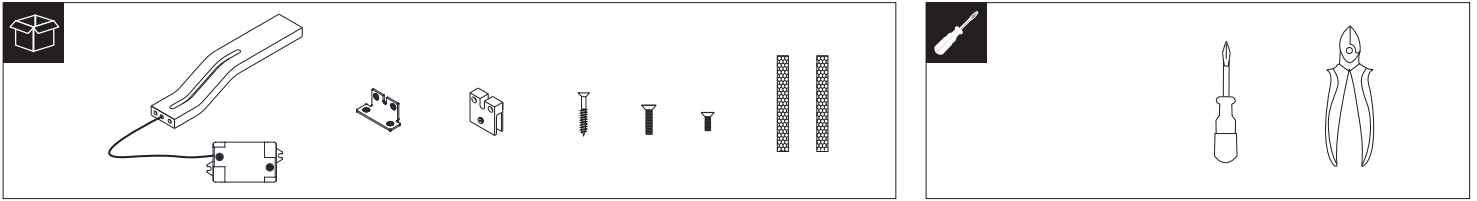
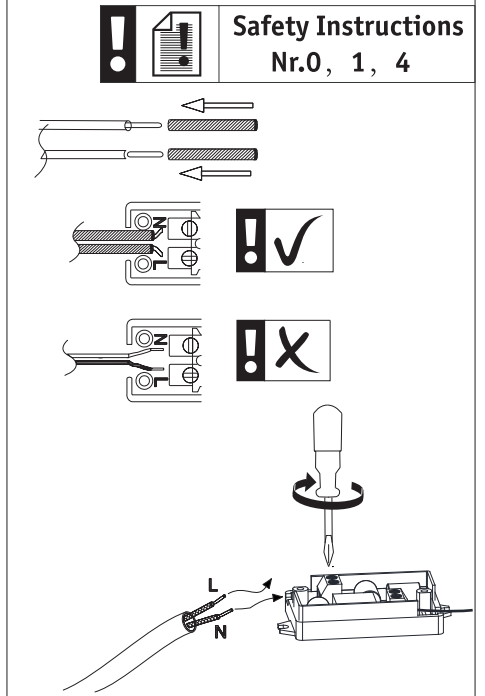


Art.-Nr.: 991.00

(+ MA 173) PAU 04/16



Safety Instructions
 Nr.0, 1, 4



! on

IP44

www.paulmann.com/
 IP-protection/all

